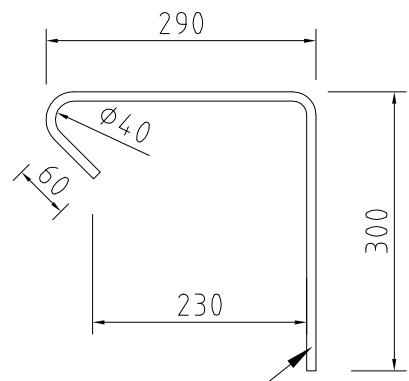
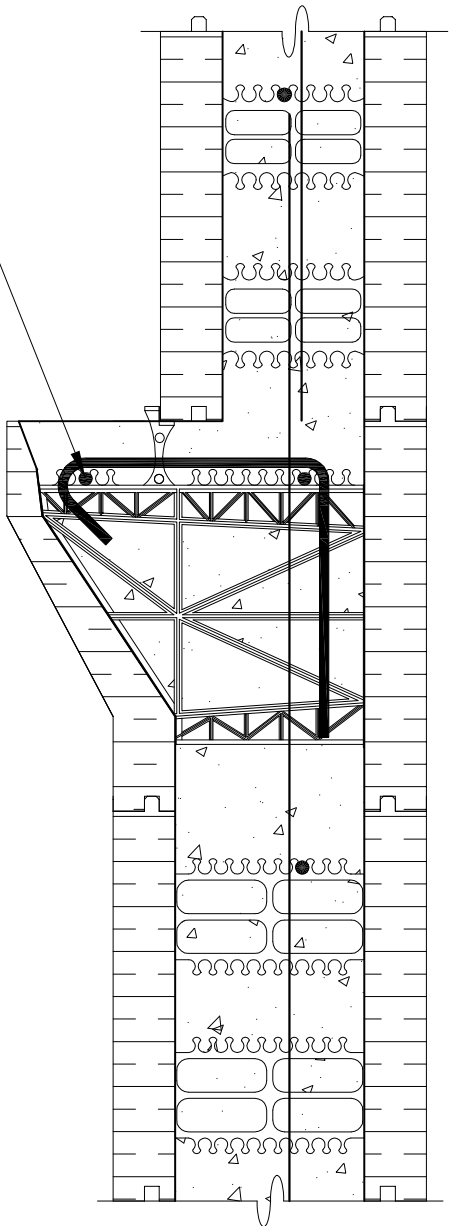


BRICK LEDGE  
FACTORED DESIGN  
LOAD: 16 KN/m

1-10M CONT. EXTRA  
IN BRICK LEDGE



10M @  
203 mm  
(8") o.c.

- NOTES:**
- 1. DETAIL TO BE USED IN CONJUNCTION WITH ADVANTAGE ICF SYSTEM TECHNICAL & INSTALLATION MANUAL.**
  - 2. HORIZONTAL AND VERTICAL REBAR OVERLAP TO BE 450 mm (18") FOR 10M AND 650 mm (26") FOR 15M.**

No.	REVISION DESCRIPTION	DATE	BY	CHKD	APPD



PLANT OR PROJECT 8" ADVANTAGE ICF SYSTEM

**BRICK LEDGE DETAIL**  
**8" TO 6" WALLS**

SCALE NTS	
DESIGN G DOREN	DATE JULY, 09
DRAWN L XIE	DATE JULY, 09
CHECKED J WHALEN	DATE JULY, 09
DRAWING No. S.7.8A	REV.